

ALLISCOM

Iridium Antenna

Data Sheet



Model No. MPIDM

Feature **Iridium Certified**
Delivers high efficiency for Iridium
Resistant to harsh outdoor environment
Concealable, Flat structure
IP67 (Dustproof and Waterproof)

Description The MPIDM is a high performance and quality antenna for Iridium satellite phone communications. A low profile passive antenna guarantees continuous signal coverage for excellent operation. The type of antenna allows easy installation. There is a high demanding of the Iridium antennas for Crew on the steamer, Navy along coastline, Caravan in desert who requires reliable, high-performing antennas connected with Iridium Phone Set for a seamless communications.

1. Electrical Specifications

Iridium antenna

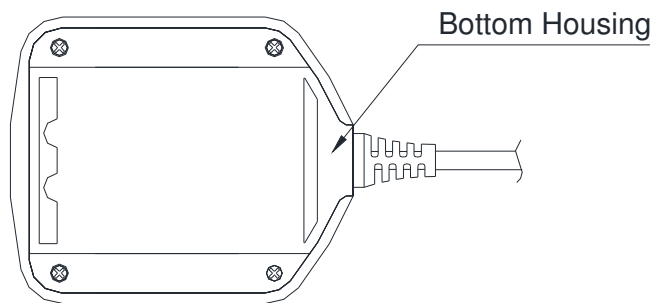
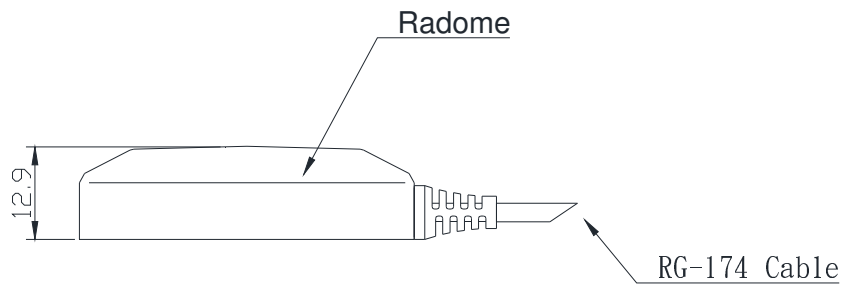
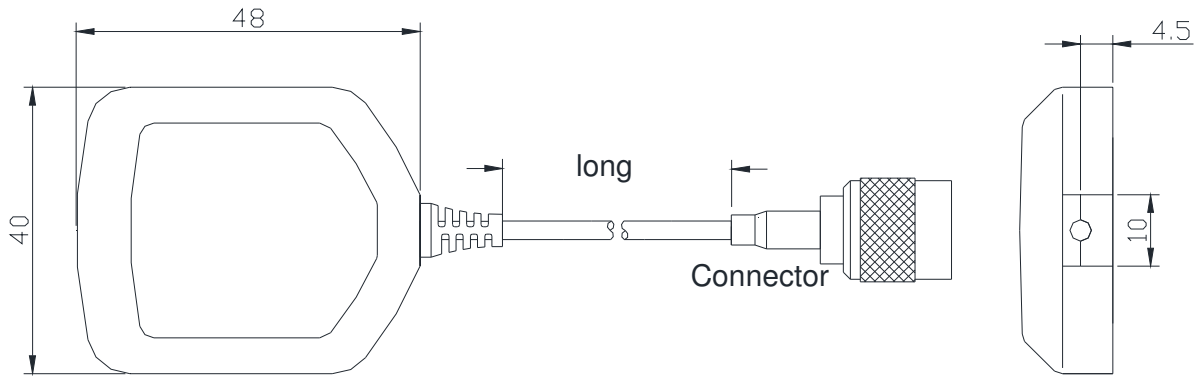
Center Frequency	1621 ± 3 MHz
Bandwidth	20 MHz Min. at -10 dB
Axial Ratio	3 dB Max. @ 0°
Efficiency	70% Min. (Without ground plane)
Impedance	50 Ω
Peak Gain	4 dBic Min @ 0°
Gain Coverage	≥ -4dBic at -90° ≤ θ ≤ 90° (over 75% volume)
Power Handling	30 Watt
Polarization	RHCP

2. Mechanical Specifications

2.1 Mechanical

Size	48 x 40 x 13 mm
Weight (Without Cable)	42 grams Max.
Connector	Custom
Cable	Custom
Cable Length	Custom
Mounting	Magnetic base
Housing Color	Black
Degrees of Protection	IP67 (Dustproof and Waterproof)

2.2 Dimensions



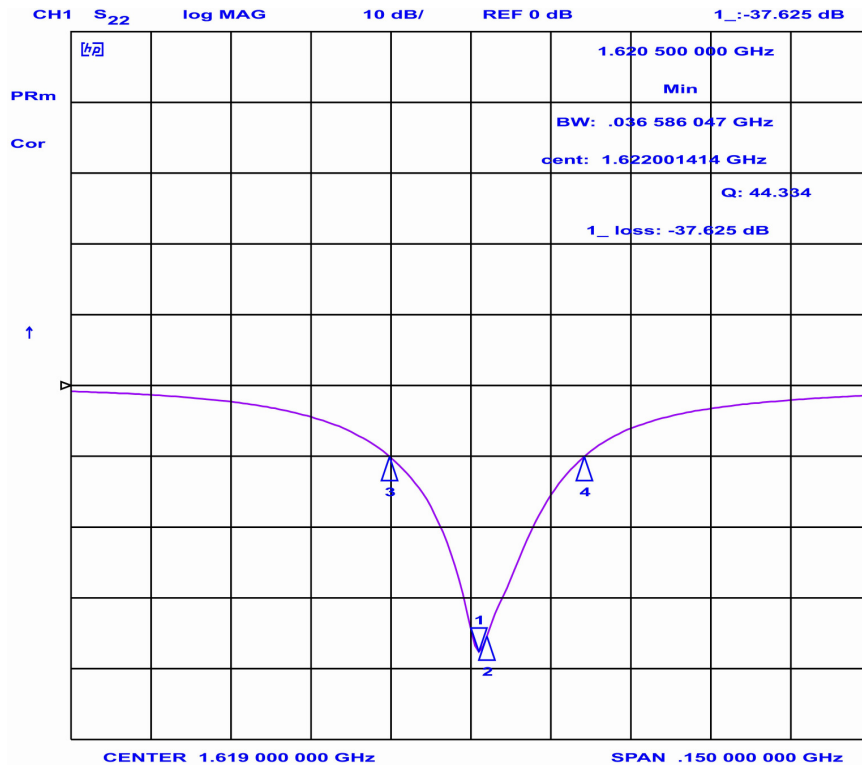
M Type

Radome: ABS+PC
 Bottom Housing: Aluminum
 Unit: mm

Tolerance	mm	angle
.	±0.2	1°
.x	±0.15	0.5°
.xx	±0.05	

3 Appendix

- Return Loss:



- Efficiency

