

ALLISCOM

2G/3G Cellular Antenna

Data Sheet



Model No.	GCRC1
Feature	Delivers high performance for 2G / 3G AMPS/GSM/DCS/PCS/WCDMA/GPRS/EDGE 804~960 MHz /1710~2300MHz Concealable, Flat structure Omni directional for Cellular system Waterproof IP56 RoHS Compliant
Description	The GCRC1 is a high performance and quality antenna for 2G / 3G applications. The antenna is resistant to harsh outdoor environment. The RF connector and cable length can be customized as required.

1. Electrical Specifications

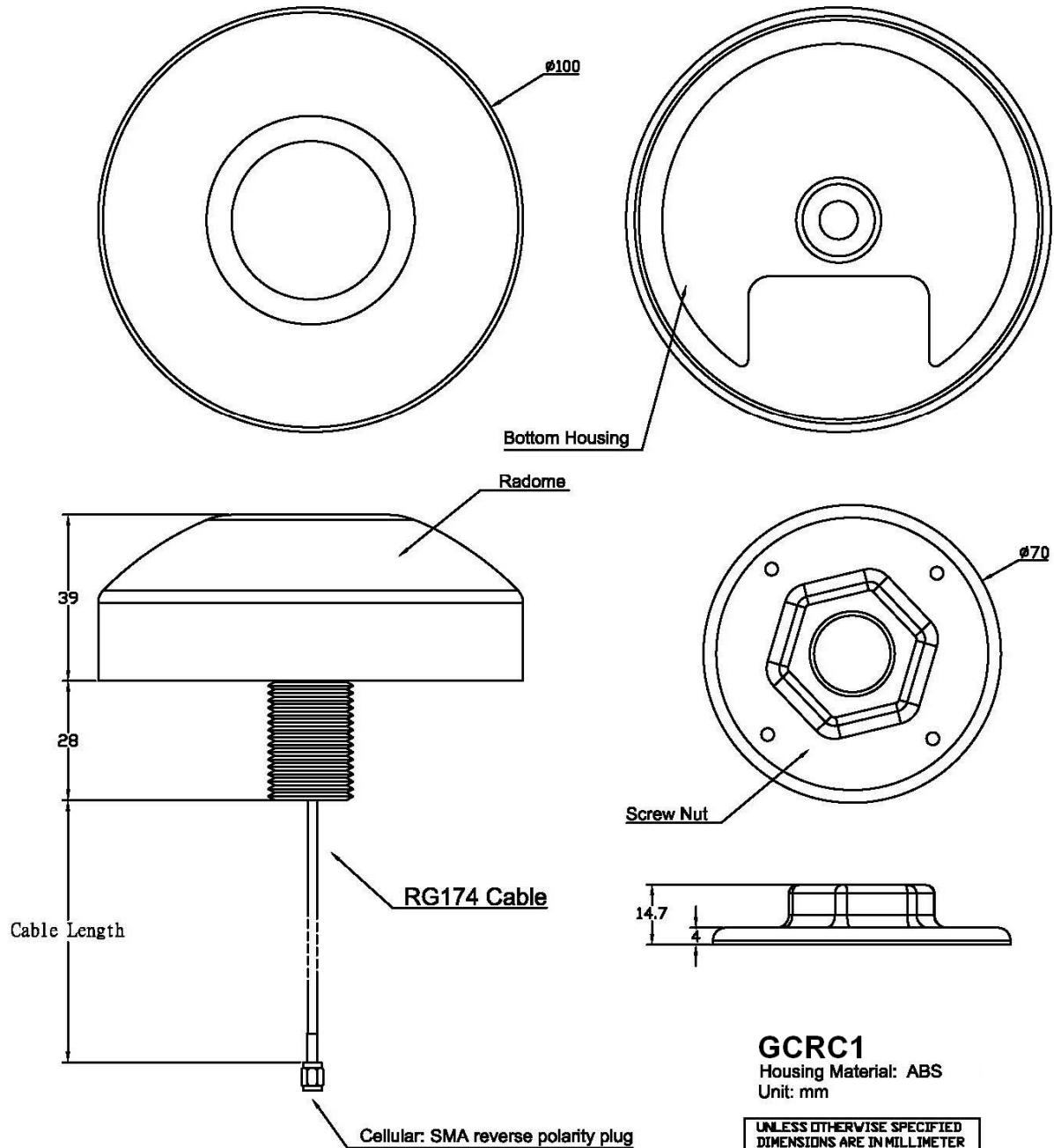
Cellular Antenna	
Frequency	804~960MHz 1710~2300MHz
VSWR	2.0:1
Impedance	50Ω
Gain	2.5dBi
Pattern Type	Omni-direction
Power Handling	25 watt

2. Mechanical Specification

2.1 Mechanical

Item	Specification
Weight (Without Cable)	280 grams Max.
Housing Material	ABS
Size	100mm Dia.× 67mm(39mm+28 mm)
Connector	Custom
RF Cable	Custom
Mounting	Permanent mount
Housing Color	White
Waterproof	IP56

2.2 Dimension



GCRC1

Housing Material: ABS
Unit: mm

UNLESS OTHERWISE SPECIFIED DIMENSIONS ARE IN MILLIMETER TOLERANCES:	
ANGLE	$\pm 1^\circ$
1 PLACE DECIMALS	± 0.2
2 PLACE DECIMALS	± 0.15
3 PLACE DECIMALS	± 0.05