

ALLISCOM

GPS + Cellular Antenna

Data Sheet



Model No. CM20B

Feature

- GPS + Cellular Antenna
- High efficiency for GPS / GSM/ DCS / PCS
- Resistant to harsh outdoor environment
- Concealable, Flat structure
- IP67 Dustproof and Waterproof
- RoHS Compliant

Description The CM20B is a high performance and quality antenna for GPS & Cellular.

1. Electrical Specifications

GPS Active Antenna:	
Patch Antenna:	
Frequency	1575.42 ± 3 MHz
VSWR	1.5 Max.
Bandwidth	20 MHz Min. at -10 dB
Axial Ratio	3 dB Typical
Impedance	50 Ω
Peak Gain	4 dBic Min. (7 cm×7 cm ground plane)
Gain Coverage	≥ -4dBic at -90° ≤ θ ≤ 90° (over 75% volume)
Polarization	RHCP
Amplifier Module:	
Amplifier Gain without cable	20 dB Typical
Noise Figure	2.5dB max. (1.8dB typical)
Filtering	< -20dB @±35MHz
	< -40dB @±45MHz
Output VSWR	2.0 Max.
DC Voltage	DC 2.7 to 6V
DC Current	3.5± 2 mA
Cellular Antenna:	
Frequency	Cellular 824~960MHz 1710~1990MHz
VSWR	2.1 : 1
Impedance	50Ω
Pattern Type	Omni-direction
Peak Gain	1dB

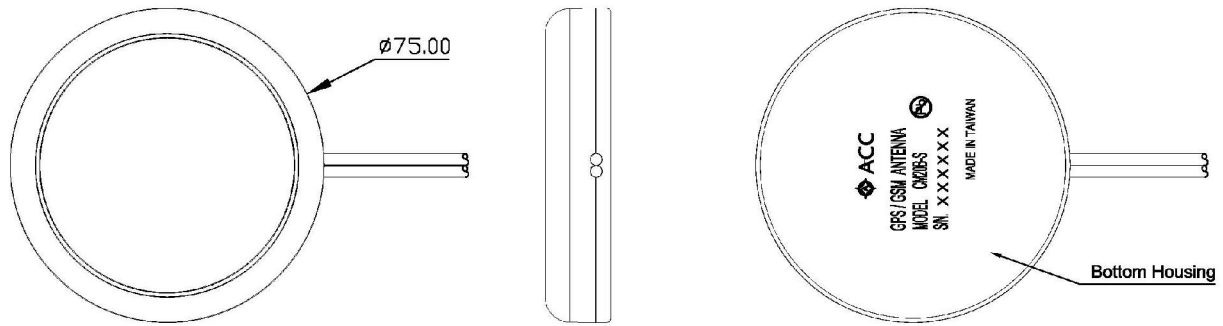
2. Mechanical Specification

2.1 Mechanical

Item	Specification	
Housing Material	ASA	
Size	75mm Dia.× 16mm	
Weight (Without Cable)	75 grams max.	
Connector (Option)	GPS : SMA Plug	Cellular : TNC Plug
RF Cable	3m RG174 X2	
Mounting	Magnetic base	
Housing Color	Black	
Degrees of Protection	IP67 (Dustproof and Waterproof)	

*Specifications subject to change without notice.

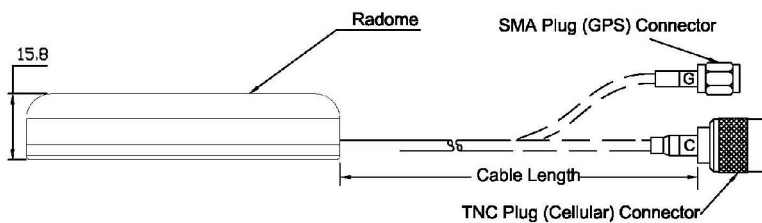
2.2 Dimension



CM20B

Housing Material: ASA

Unit: mm

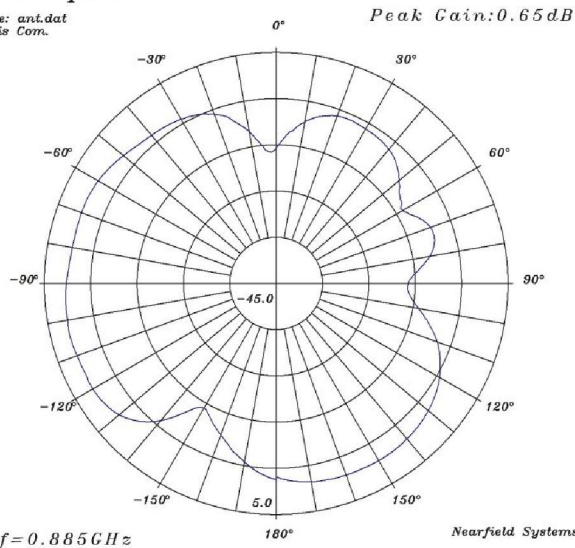


UNLESS OTHERWISE SPECIFIED DIMENSIONS ARE IN MILLIMETER	
TOLERANCES:	
ANGLE	$\pm 1^\circ$
1 PLACE DECIMALS	± 0.2
2 PLACE DECIMALS	± 0.15
3 PLACE DECIMALS	± 0.05

3. Appendix: Gain Pattern

Polar plot

File: ant.dat
Allis Com.



Polar plot

File: ant.dat
Allis Com.

